



LOAD CELL 
 Model: BM6A-C3-12kg-0.2B
 Capacity: 12kg Class: C3
ZEMIC  Do not open this device by yourself.
 For details your local authorized Dealer in road of service.

Short Description



- Stainless steel IP68 single point load cell
- Suitable for platform, belt scales and other weighing devices
- Hermetically sealed
- Maximum platform size: 350 x 350 mm



Test certificate no. TC7834 Revision 1
 C of C no R60/2000-NL1-10.32

Available Models

Capacity	Accuracy	Full Article Description
6kg	C3	BM6A-C3-6kg-6B6
12kg	C3	BM6A-C3-12kg-6B6
30kg	C3	BM6A-C3-30kg-6B6
60kg	C3	BM6A-C3-60kg-6B6

Specifications and dimensions are subject to change without notice and do not constitute any liability whatsoever.

Technical Specifications BM6A

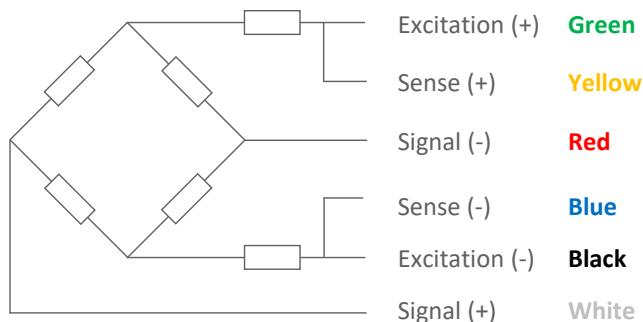
Accuracy Class		OIML R60 C3		
Output Sensitivity (= FS)	mV/V	2.0 ± 0.2		
Maximum Capacity (E _{max})	kg	6, 12, 30, 60		
Max. Number of Load Cell Intervals	n _{LC}	3000		
Ratio of min. LC Verification Interval	$Y = E_{max} / v_{min}$	10000		
Combined Error	%FS	≤± 0.023		
Creep Error (30 minutes)	%FS	≤± 0.016		
Temperature Effect on Zero (ZTC)	%FS/10°C	≤± 0.015		
Temperature Effect on Sensitivity (STC)	%FS/10°C	≤± 0.011		
Zero Balance	%FS	≤± 1.5		
Safe Overload	%FS	150		
Ultimate Overload	%FS	300		
Maximum Deflection	mm	6 – 12kg: ~0.17	30kg: 0.13	60kg: 0.12
Eccentric Loading Error	%Ld/cm	± 0.002		
Excitation, Recommended Voltage	V	5 ~ 12		
Excitation, Maximum Voltage	V	18		
Input Resistance	Ω	400 ± 20		
Output Resistance	Ω	351 ± 2		
Insulation Resistance (50V)	MΩ	≥5000		
Compensated Temperature	°C	-10 ~ + 40		
Operating Temperature	°C	-35 ~ + 65		
Storage Temperature	°C	-40 ~ + 70		
Load Cell Weight	kg	~ 1.2		
Element Material		Stainless Steel		
Ingress Protection (acc. to EN 60529)		IP68		
Recommended Torque on Fixation Bolts	Nm	M6: 10		
ATEX Classification (optional)		II 1G Ex ia IIC T4 Ga	II 1D Ex ia IIIC T ₂₀₀ 135°C Da	II 3G Ex ic IIC T4 Gc

Wiring

Features:

Cable type: Shielded, 6 conductor cable , conductor AWG 24
 Cable diameter: Ø 6.2mm
 Cable length: 6.0m
 Cable jacket: Polyurethane
 Shield not connected to element

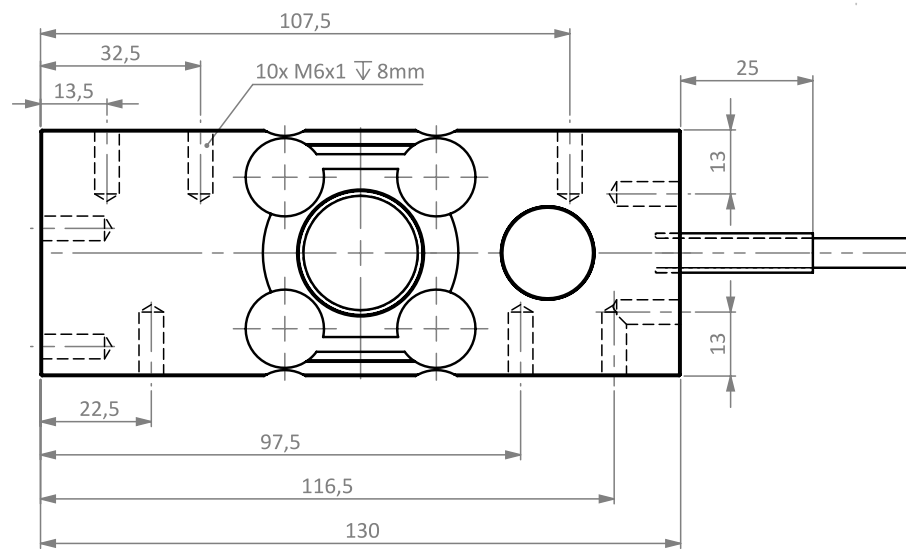
6-Wire Connection Diagram



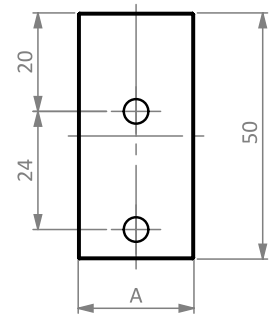
Specifications and dimensions are subject to change without notice and do not constitute any liability whatsoever.

Dimensions in mm

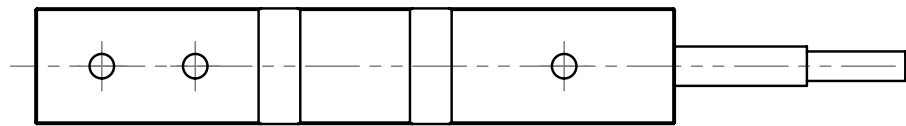
Front View



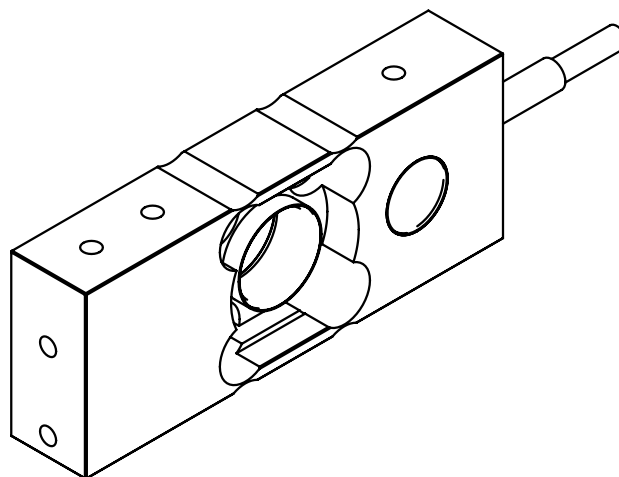
Side View



Top View



Isometric View



Dimension Capacity	A
6kg, 12kg, 30kg	18.5
60kg	23.5

Specifications and dimensions are subject to change without notice and do not constitute any liability whatsoever.